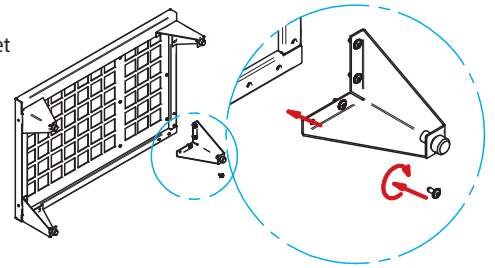
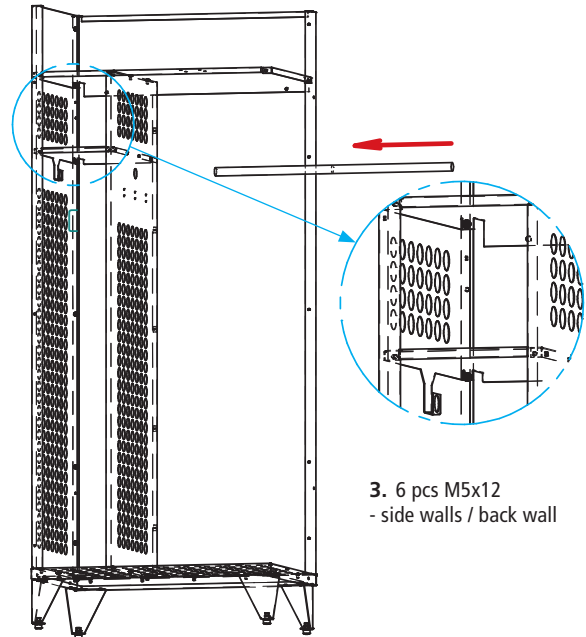
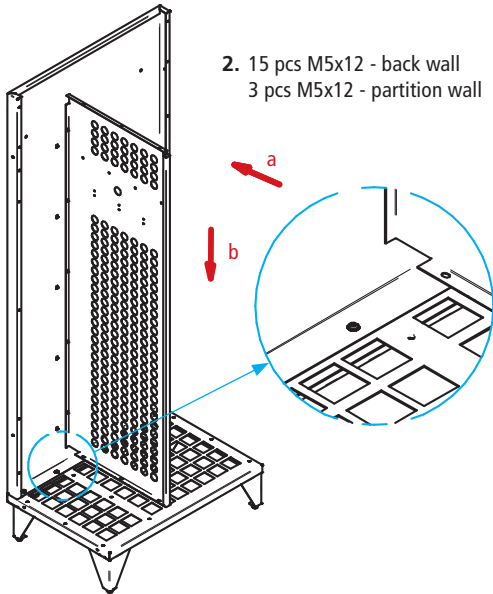


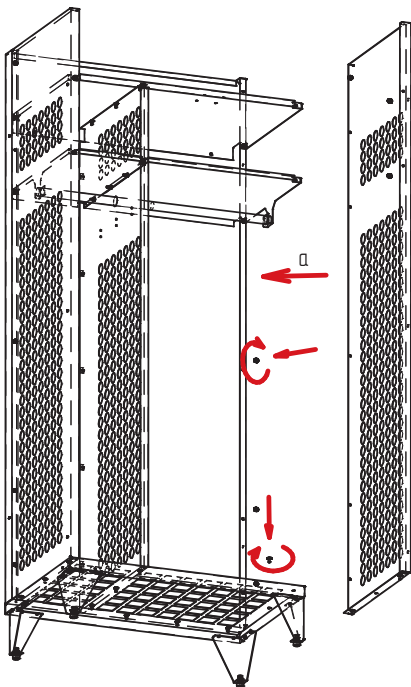
1. 4 pcs M5x12 / feet



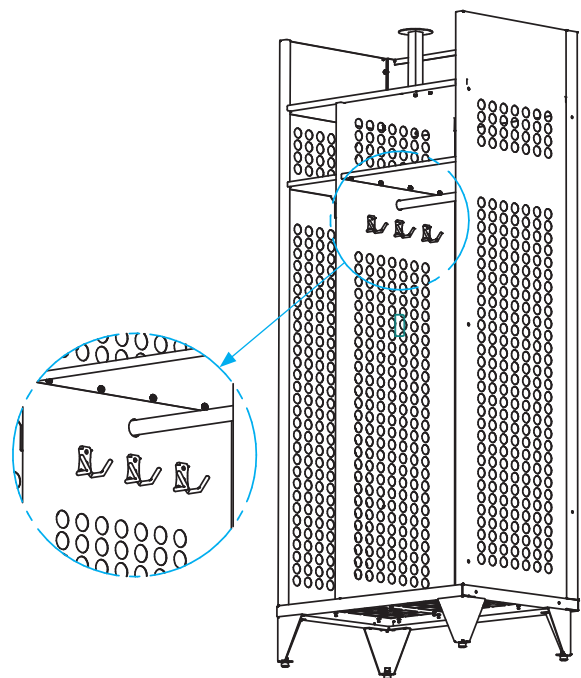
2. 15 pcs M5x12 - back wall
3 pcs M5x12 - partition wall



3. 6 pcs M5x12
- side walls / back wall



4. 6 pcs M5x12 - back wall
2 pcs M5x12 - shelf



5. 4 pcs M5x12 - shelf/partition wall
3x 2 pcs M4x10 + nut M4